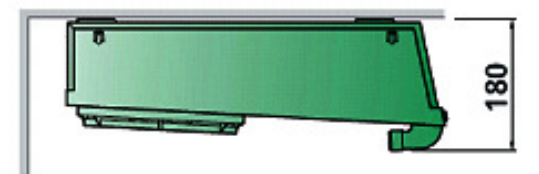
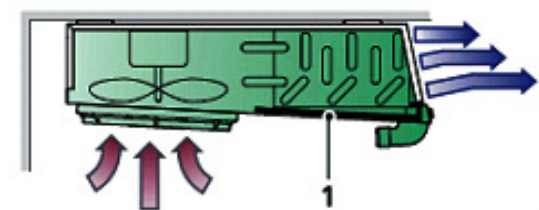


junior DF



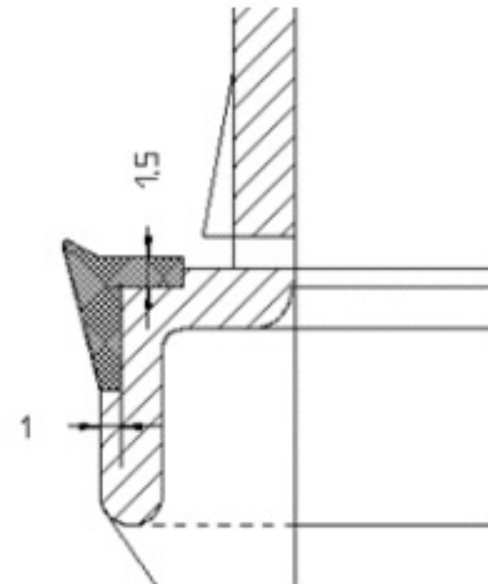
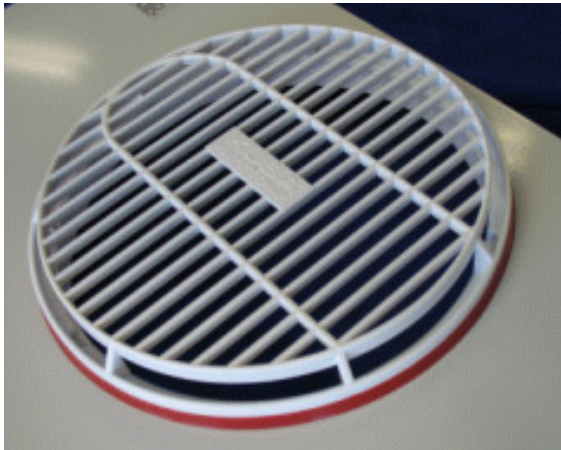
Capacity range:

- 0,5 → 2,1kW
- 1 to 3 fan units
- Fan diameter 200 mm
- **Slim:**
 - Very low silhouette design and turntable drip connection
- **Easy to install**
 - Connection to pipe system easy accessible
- **Hygienic coated**



Grid with damping profile

- ☐ Reduction of Vibration



Heating rod clip

- Improvement of Service and Reliability

